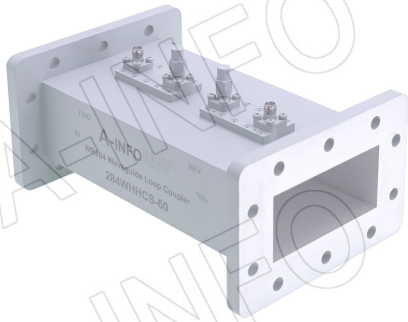


For reference only. See data sheet for the detailed specifications.

## Technical Specification

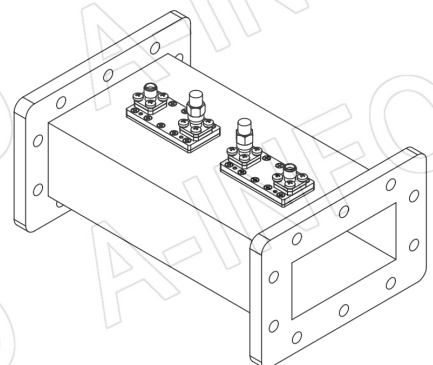
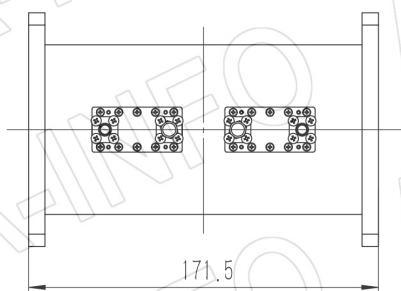
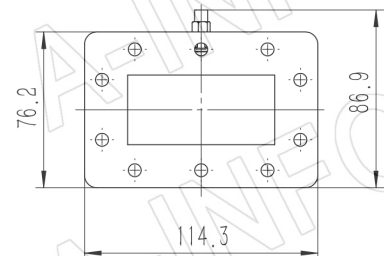
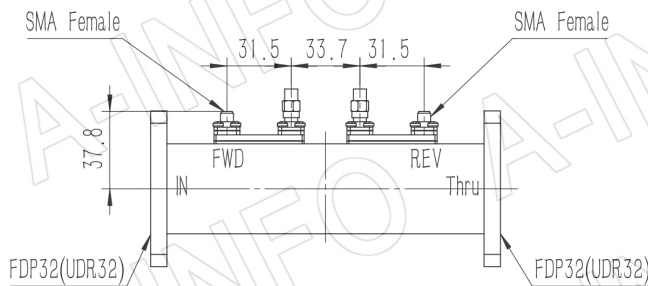


EIA WR	WR284
Frequency Range(GHz)	2.60 – 3.95
Coupling(dB)	60
Directivity(dB)	15 Typ.
Insertion Loss(dB)	0.1 Max. (Not including the theoretical loss $8.69 \times 10^{-6}$ dB)
Mainline VSWR	1.10:1 Max.
Secondline VSWR	1.35:1 Max.
Flange	FDP32(UDR32)
Coupling Port	SMA-Female/SMA-Male
Material	Al
Finish	Chemical Conversion Coating, Gray Paint
Size(mm)	171.5 x 114.3 x 86.9
Net Weight(Kg)	0.82 Around

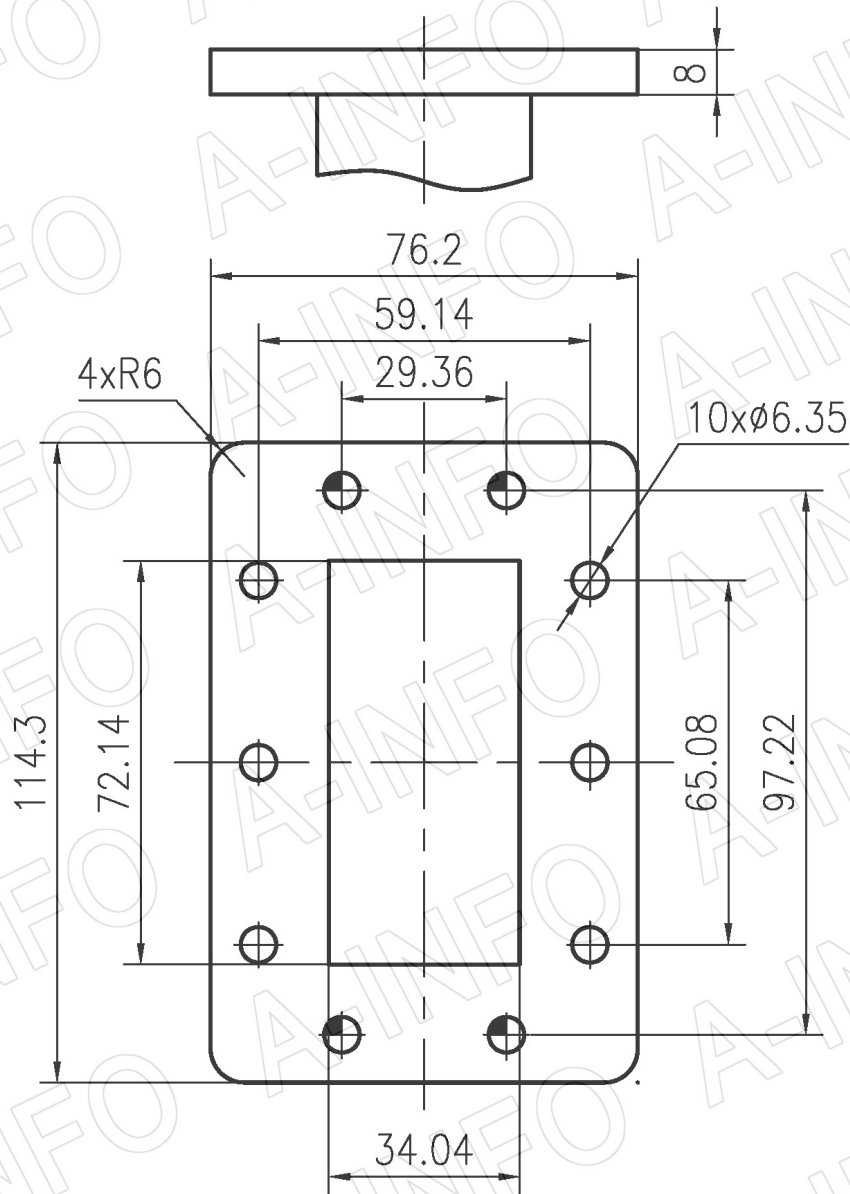
## Outline Drawing (Size: mm)

Coupling Port: SMA-Female

For SMA-Male connector Coupling Port outline drawing, please contact A-INFO.



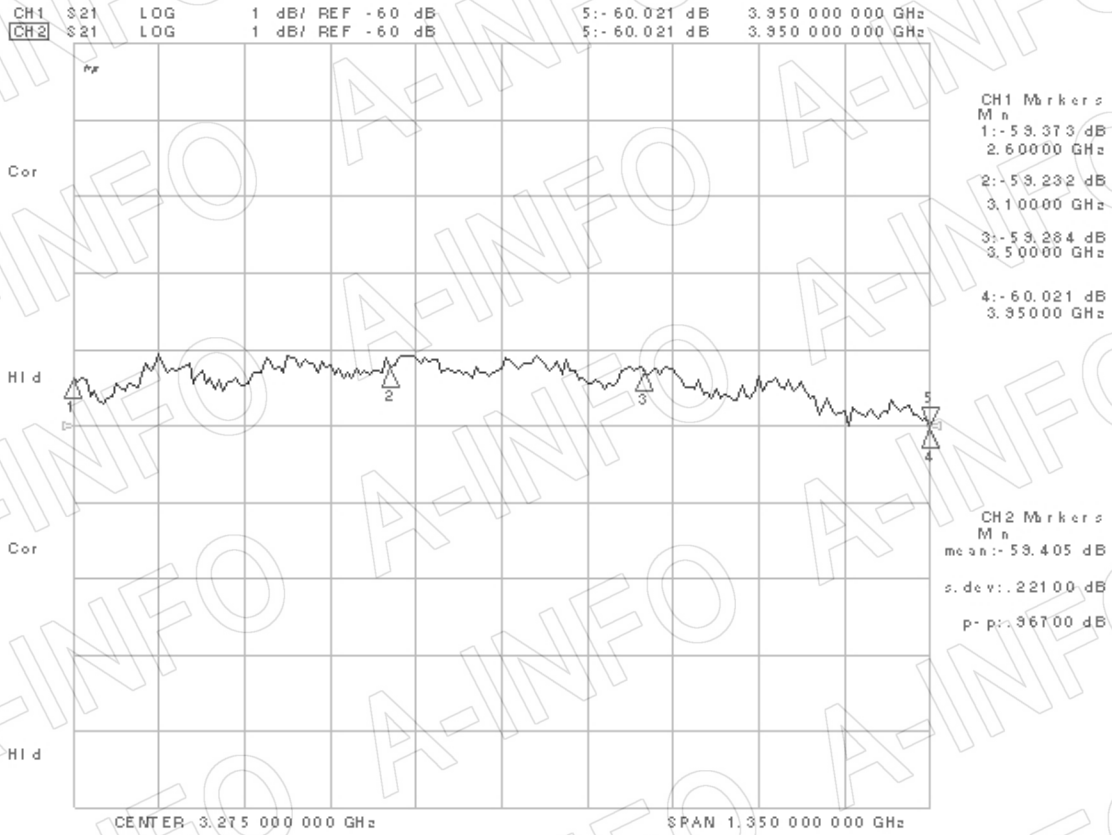
## Flange Drawing (Size: mm)



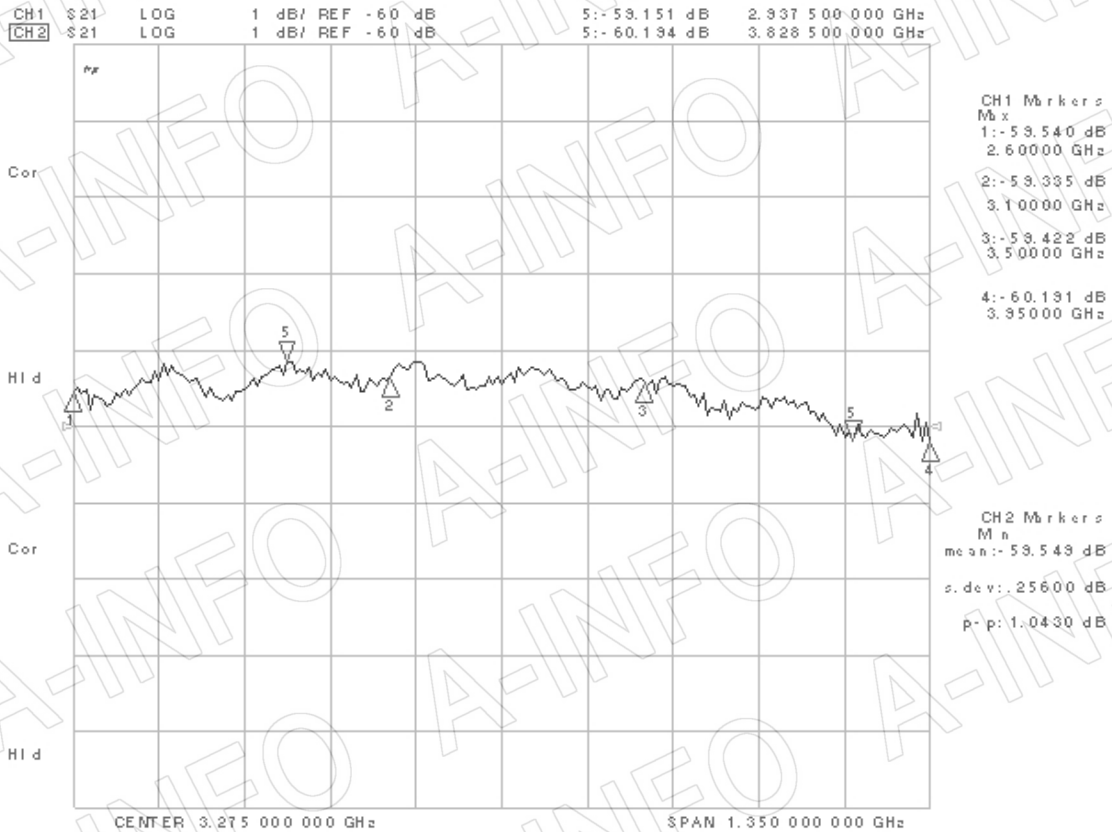
### FDP32

## Test Results

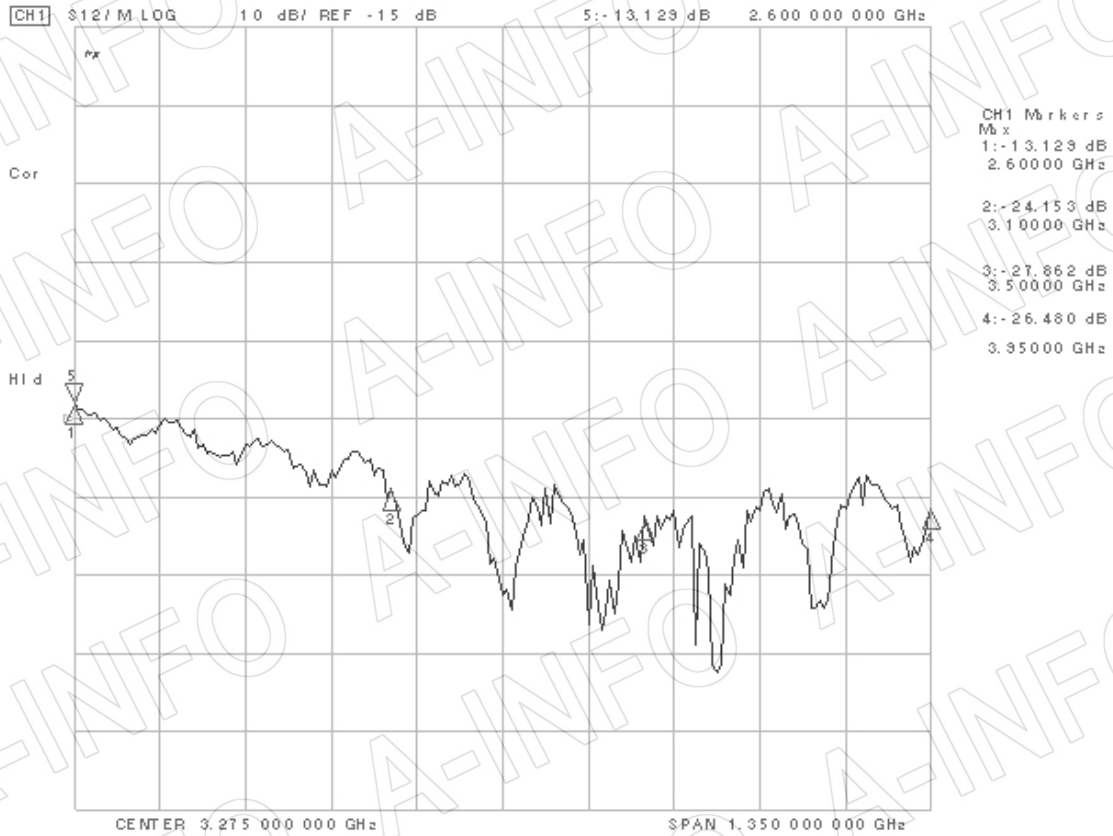
### Coupling Port 1



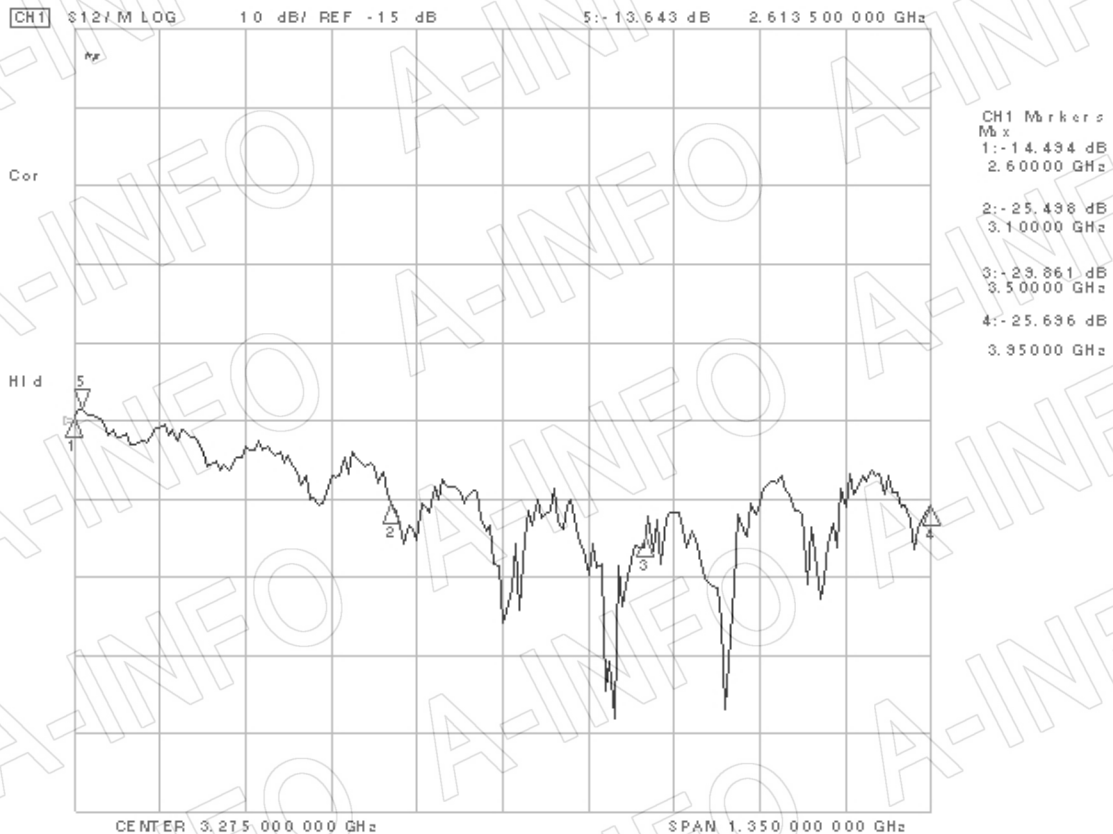
### Port 2



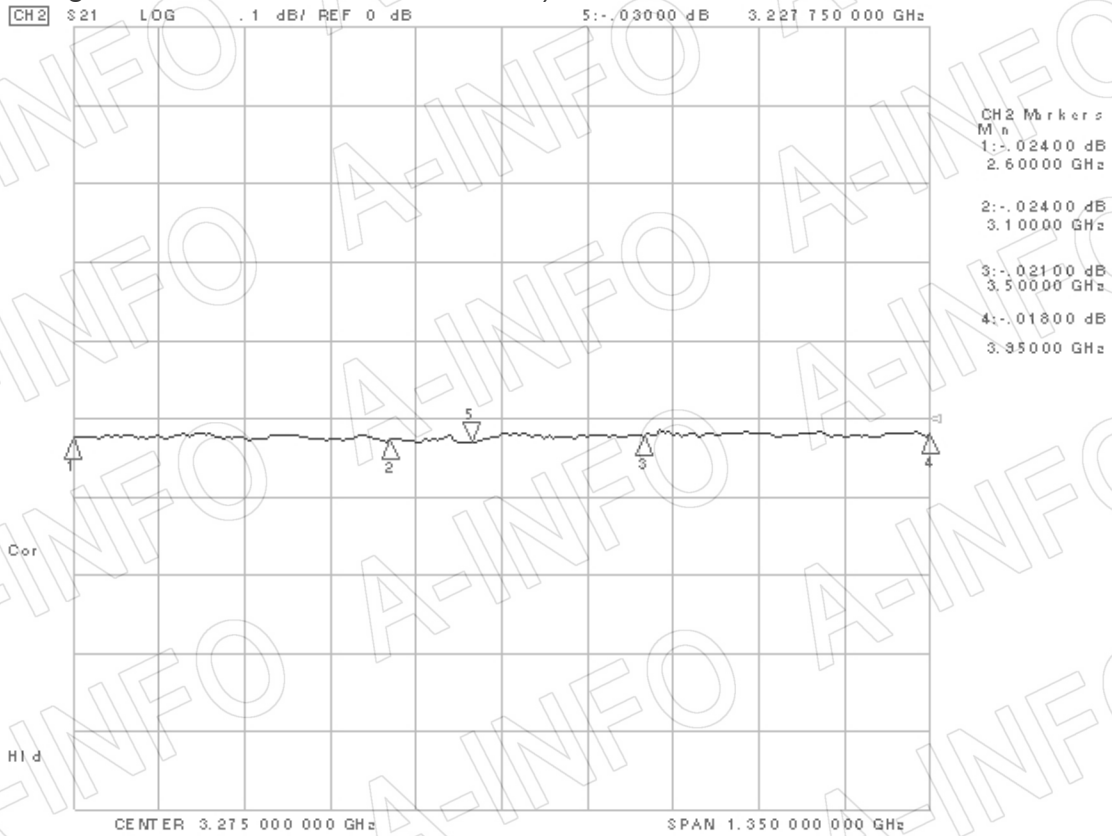
## Directivity Port 1



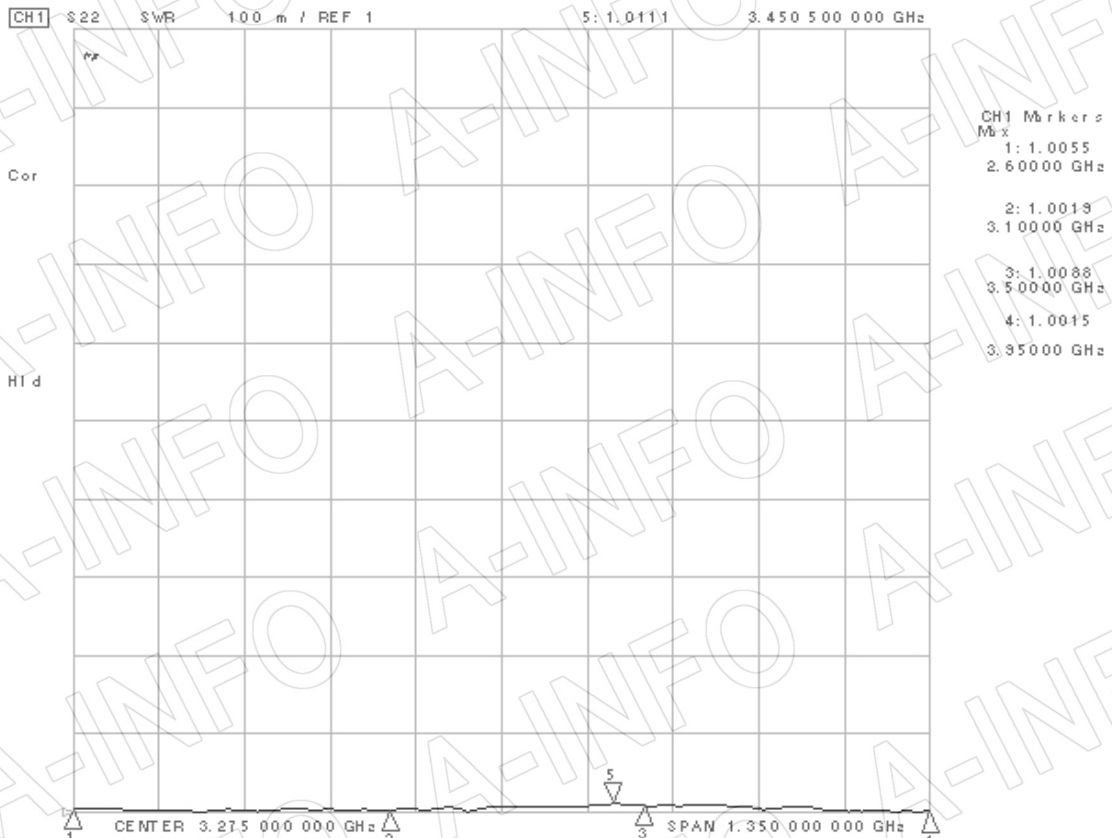
## Port 2



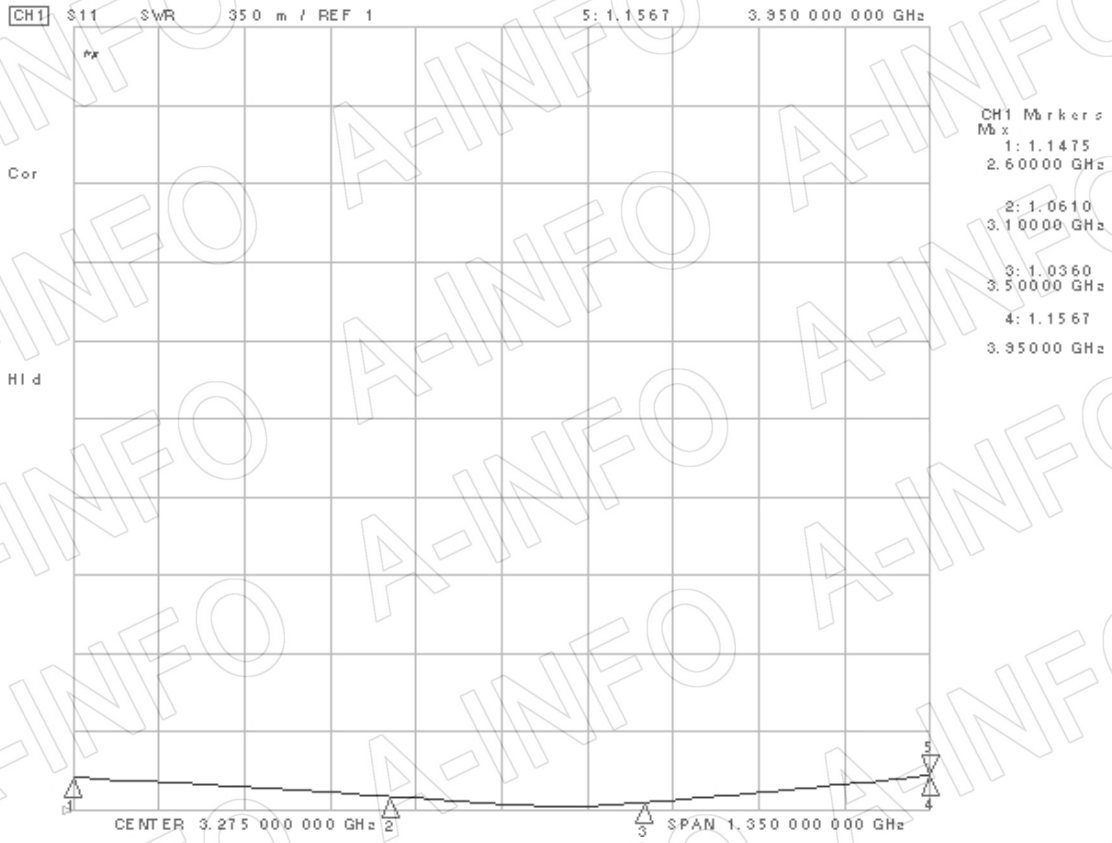
I.L.(Including the theoretical loss  $8.69 \times 10^{-6}$ dB)



Mainline VSWR



## Secondline VSWR Port 1



## Port 2

